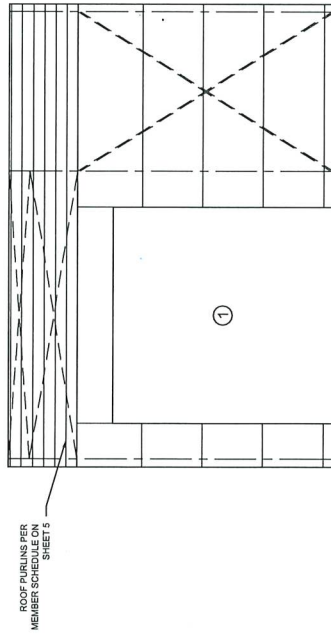
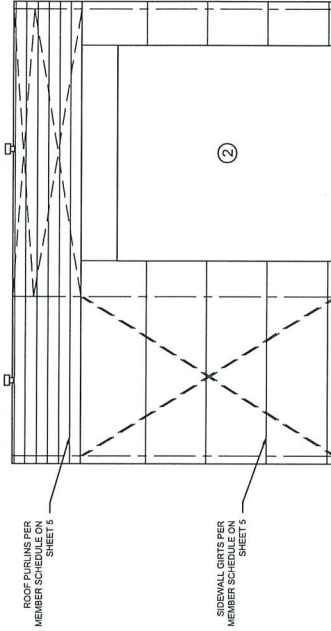


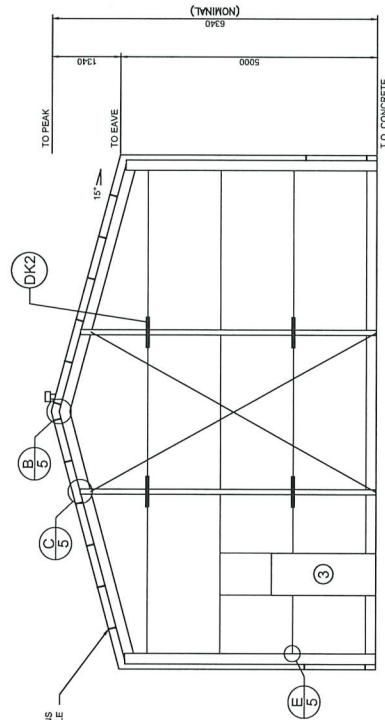
The design and detail shown on these drawings are applicable to this project only and may not be reproduced in whole or any part or be used for any other purpose without the written permission of FBHS (Aust) Pty Limited (FBHS) with whom copyright resides. The local distributor or franchisee you are dealing with is an authorised independent distributor or franchisee of FBHS' products and they enter into agreements with their customers on their own behalf and not as an agent for FBHS.



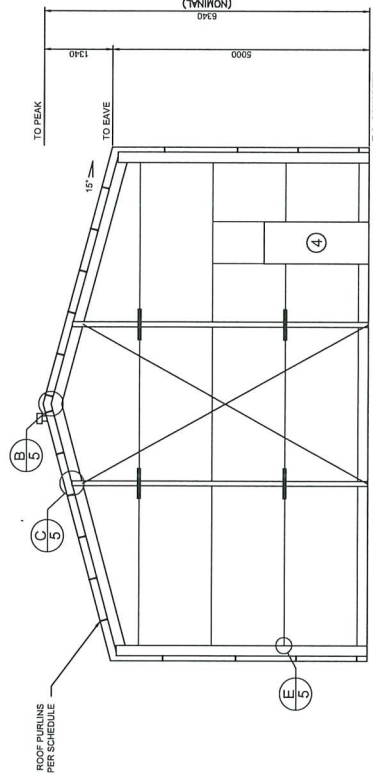
① SIDEWALL EXTERIOR ELEVATION
SCALE: 1:100



② SIDEWALL EXTERIOR ELEVATION
SCALE: 1:100



④ ENDWALL INTERIOR ELEVATION
SCALE: 1:100



③ ENDWALL INTERIOR ELEVATION
SCALE: 1:100

X BRACING IS REQUIRED IN 2 SIDE BAYS, 2 END BAYS, 2 ROOF BAYS, 2 ROOF BAYS.
SEE LAYOUT OR PLANS FOR PLACEMENT. FLY BRACING IS INCLUDED TO BE PLACED ON EVERY SECOND PURLIN AND GIRT ON ENDWALL MULLIONS, INTERNAL COLUMNS AND INTERNAL RAFTERS.

STEEL BUILDING BY (CONTACT) **HI-MARQ SERVICES PTY LTD**
 FOR 02 69535431
 AT **LEETON SHIRE COUNCIL**
 ACACIA AVE²
 LEETON

DRAWN FDB
 CHECKED TM
 DATE 31/10/2023
 JOB NO. LEET11534

SHEET **2** OF **8**

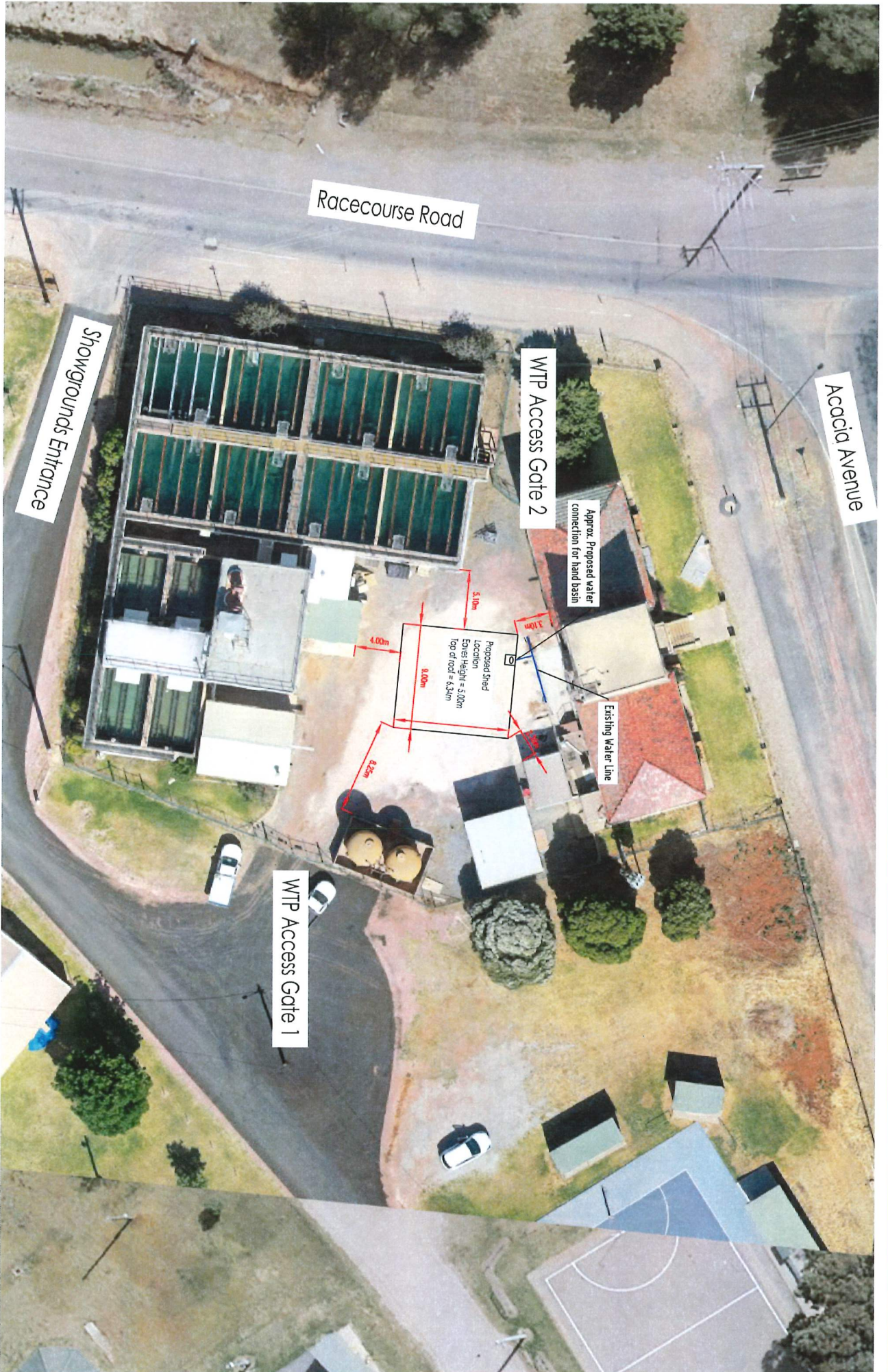
NORTHERN CONSULTING ENGINEERS
 Civil & Structural Engineers
 50 Punari Street
 Curralong, Qld 4812
 Fax: 07 4725 6650
 Email: design@nceeng.com.au
 ABN 341 008 173 55

Mr Timothy Roy Messer BE MIEAust RPEQ
 Signature: *T. Messer*
 Date: 31/10/2023

Registered on the NPFR in the areas of practice of Civil & Structural National Professional Engineers Register

Registered Professional Engineer (Civil & Structural) QLD
 Registered Professional Engineer (Structural) N.T.
 Registered Engineer - (Civil) VIC
 Registered Engineer - (Civil) WA





E	
D	
C	
B	
A	
AK	
ORIGINAL ISSUE	
DETAILS OF AMENDMENTS	
APPR	DATE
	00/00

SUPERVISOR		CHECKED	
DESIGN		DATE	
DRAFTER		APPROVED	
PROJECTION		DATE	

SUPERVISOR	DESIGNER	CHECKED	DATE
AHD	BM	APPROVED	
12/24/57	PM		
PROJECTION	DATUM		

JOB LOCATION	
PROJECT DESCRIPTION	
SHEET DESCRIPTION	

SHEET	1	OF	1
A3	PLANNERS INC.		
PROJECT ID: 0000		YEAR: 0000	
B	C	D	E
F			